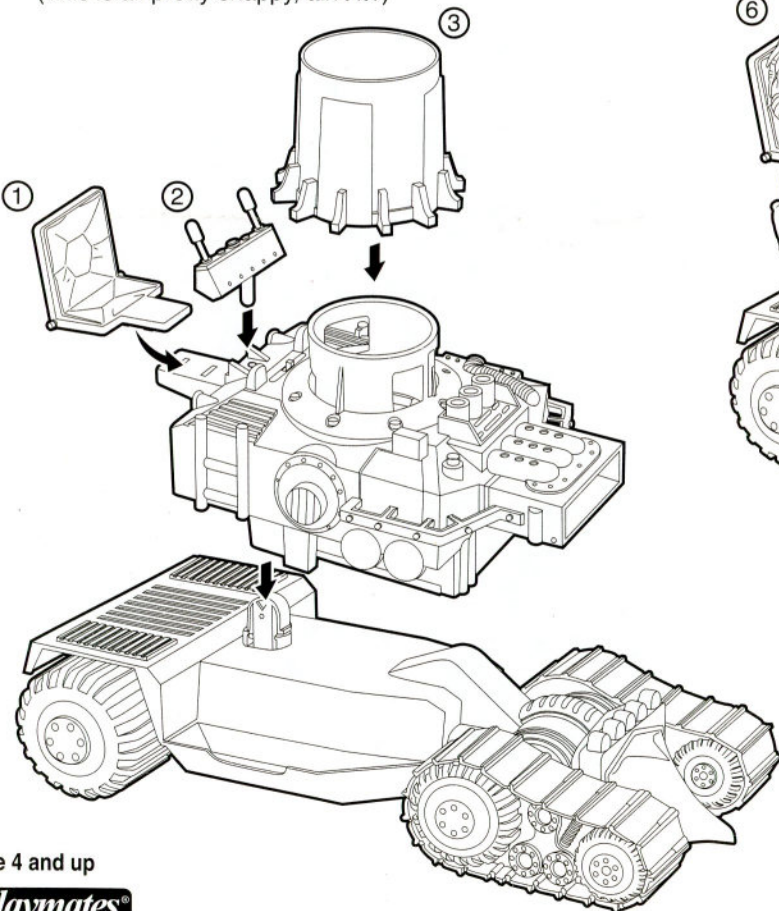


TEENAGE MUTANT NINJA TURTLES

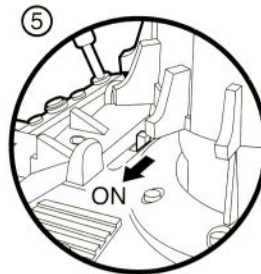
SEWER LID LAUNCHER INSTRUCTIONS:

1. Snap on soft shell comfy seat.
2. Snap control panel into hole at turret base in front of comfy seat.
3. Snap on the turret top.
(This is all pretty snappy, ain't it?)

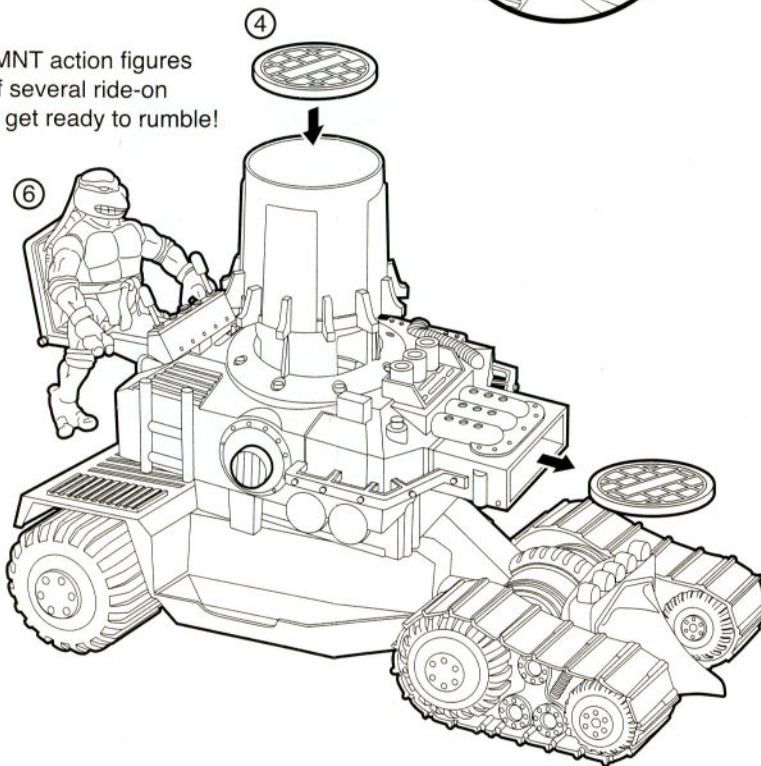


4. Now load the sewer lids into the turret as shown and get ready to let one fly!

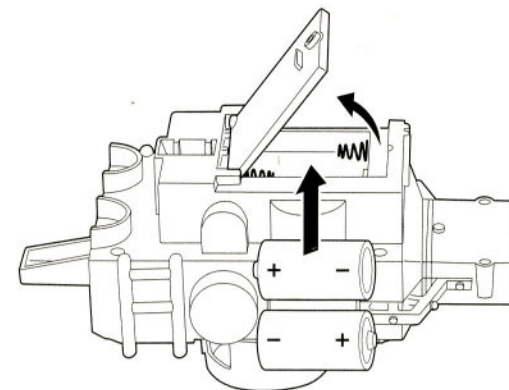
5. ON-OFF switch is located at comfy seat controls. Move switch to ON position.



6. Place your TMNT action figures on any one of several ride-on positions and get ready to rumble!



7. Now comes the best part! Time to head out for cruisin' and bruising the bad guys. Aim the Sewer Lid Launcher. Push the Red button on the right side of the Turtle turret base, and flip some lids for the Teenage Mutant Ninja Turtles!



To replace batteries:

- 1). First you need some Turtle Power! Remove Turtle turret tower from body of vehicle. Remove screw from battery cover located at base of turret tower and remove battery cover door.
- 2). Install 2 new "C" batteries. Replace cover and replace screw. Snap Turtle turret tower back onto vehicle body.

Battery Regulations:

- do not mix old and new batteries,
- do not mix alkaline, standard (carbon-zinc), or rechargeable (nickel-cadmium) batteries.

This device complies with Part 15 of the FCC Rules. Operation is subject to the following two conditions: (1) this device may not cause harmful interference, and (2) this device must accept any interference received, including interference that may cause undesired operation.

Battery Instructions:

- do not use rechargeable batteries;
- non-rechargeable batteries are not to be recharged;
- different types of batteries or new and used batteries are not to be mixed;
- only batteries of the same or equivalent type as recommended are to be used;
- batteries are to be inserted with the correct polarity;
- exhausted batteries are to be removed from the toy;
- the supply terminals are not to be short-circuited.

Under the environment with severe electrostatic discharge, the product may malfunction and requires user reset.