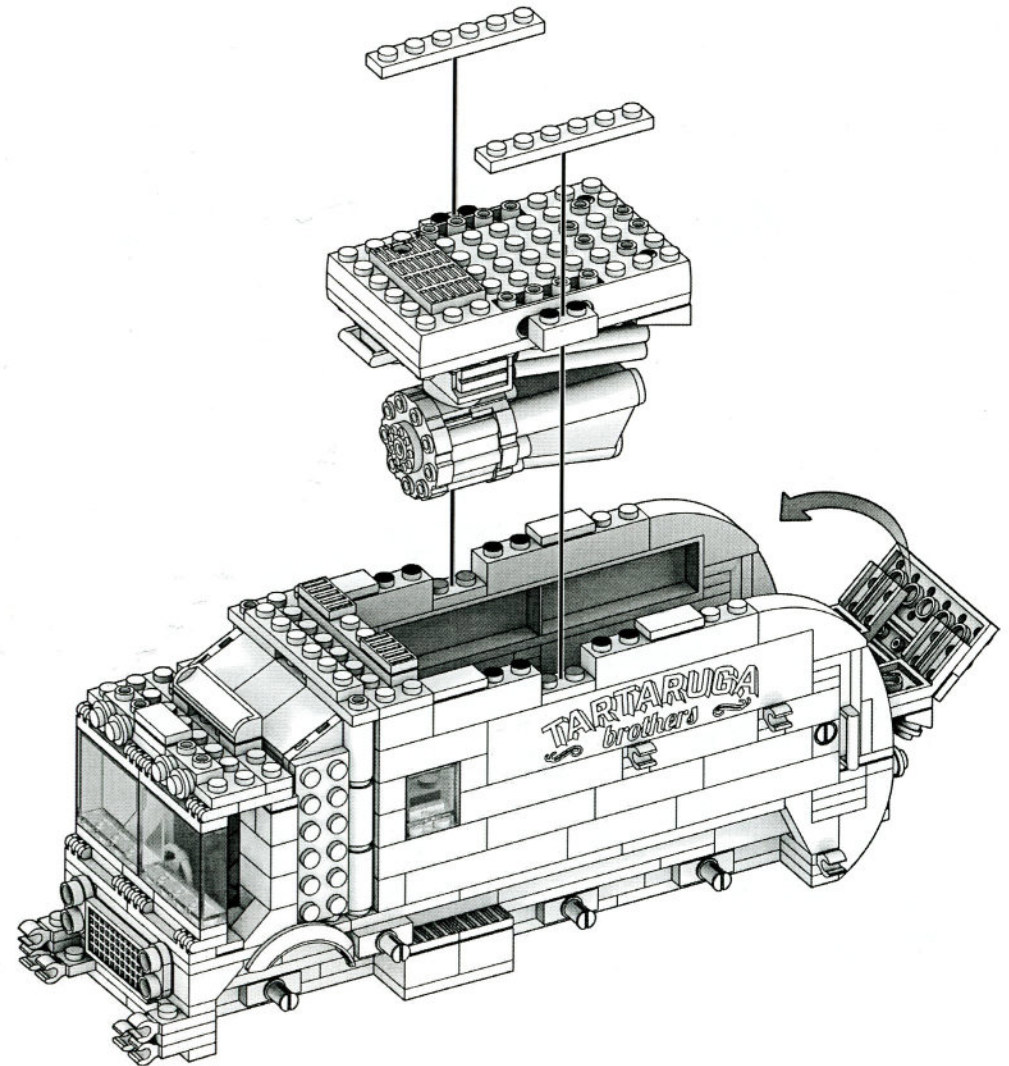
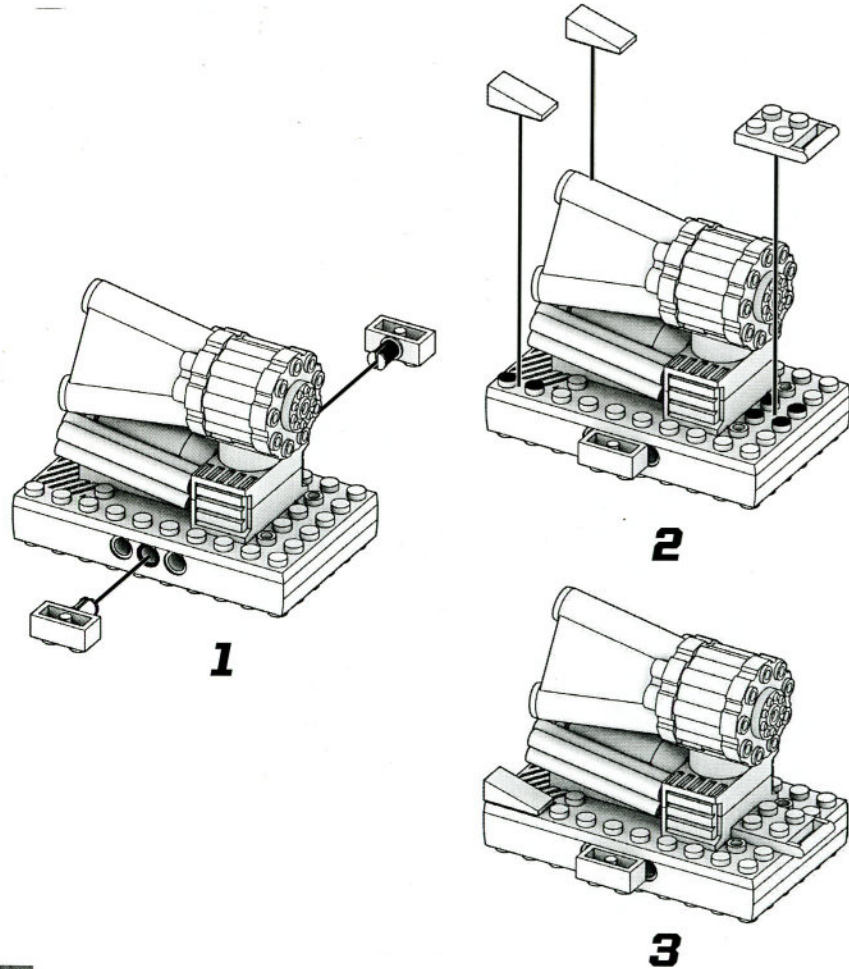
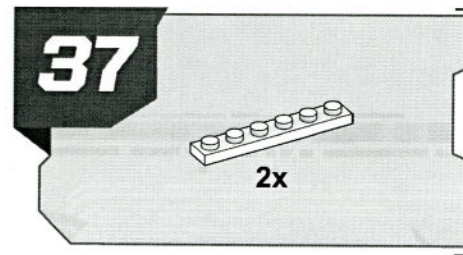
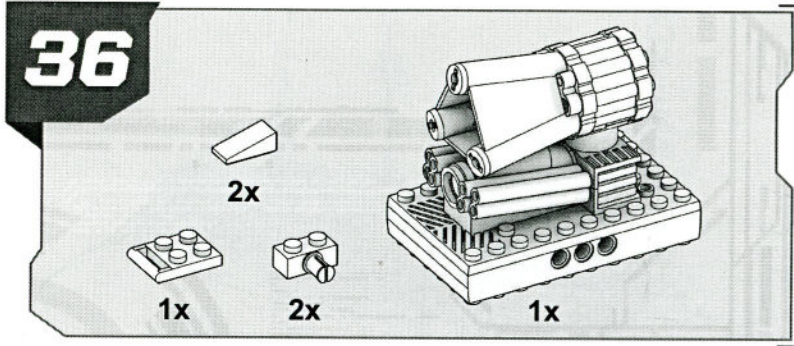


ADDENDUM



38

- 6x
- 2x
- 2x
- 2x
- 2x
- 3x
- 2x
- 2x

