

TEENAGE MUTANT NINJA TURTLES

Kids,
follow these
simple blueprints,
it's easy!

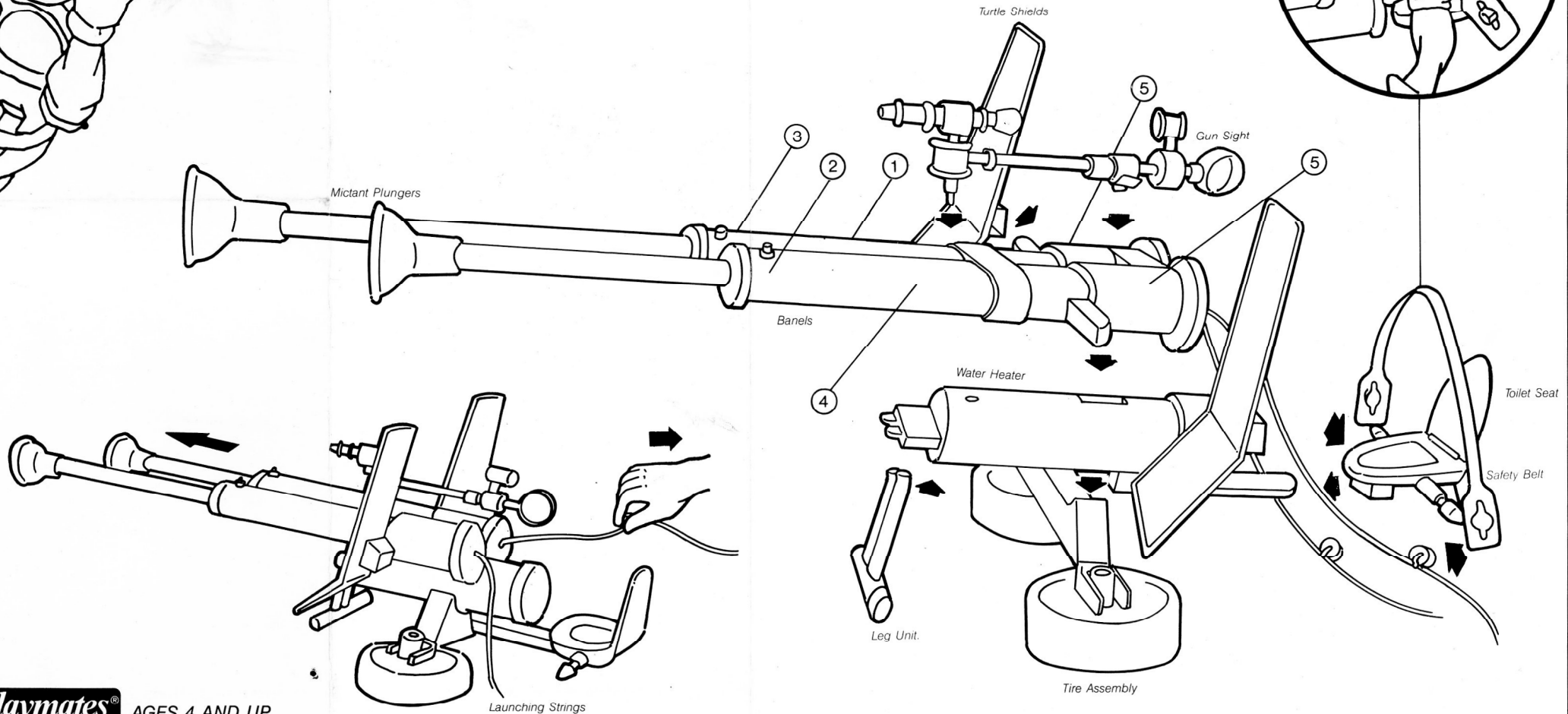


ASSEMBLY

- SNAP WATER HEATER TO TIRE ASSEMBLY AS SHOWN.
- SNAP LEG UNIT TO FRONT OF WATER HEATER AS SHOWN.
- PLUG BARRELS TO TOP OF WATER HEATER.
- SNAP GUN SIGHT TO TOP OF BARRELS AS SHOWN.
- SLIDE TURTLE SHIELDS ONTO SIDES OF BARRELS.
- SLIDE TOILET SEAT ONTO BACK OF WATER HEATER UNIT.
- PLACE LABELS (#1-5) AS SHOWN.

DIRECTIONS

- FOR POWERFUL PUNCHING ACTION: PLACE FIGURE ON TOILET SEAT AND SECURE WITH SAFETY BELT.
- PULL BACK INDEPENDENTLY POWERED LAUNCHING STRINGS UNTIL BEAD SLIPS THROUGH FINGERS (PLUNGER WILL LAUNCH).
- CAUTION: DO NOT LAUNCH PLUNGERS AT PEOPLE OR ANIMALS. PLUNGERS ARE SAFELY ENCLOSED WITHIN BARRELS FOR ADDED PROTECTION. DO NOT ATTACH PLUNGERS TO SKIN OR TO ANY SURFACES THAT MAY BE MARRED BY SUCTION CUPS.



Playmates®

AGES 4 AND UP
NO. 5662