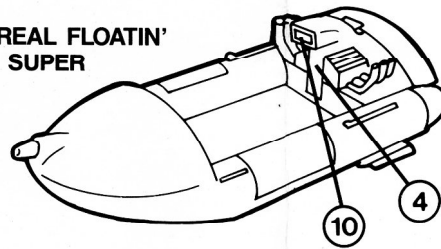


Mutations™

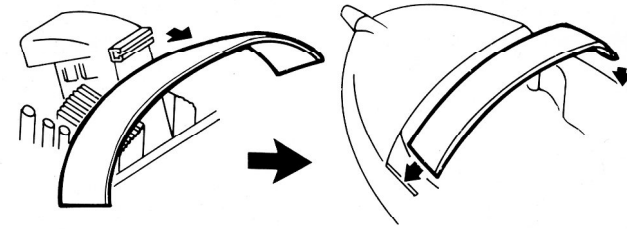
TEENAGE MUTANT NINJA

TURTLES®

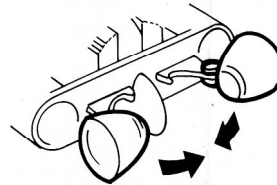
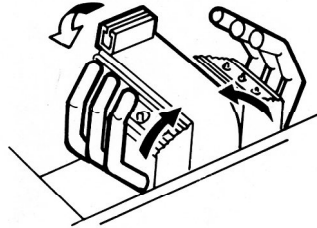
Directions
To MUTATE FROM REAL FLOATIN' RADICAL RAFT TO SUPER SPACE SHUTTLE:



1. Move the Sewer Slick Spoiler to the front of the Raft to become the Radiation Deflector.

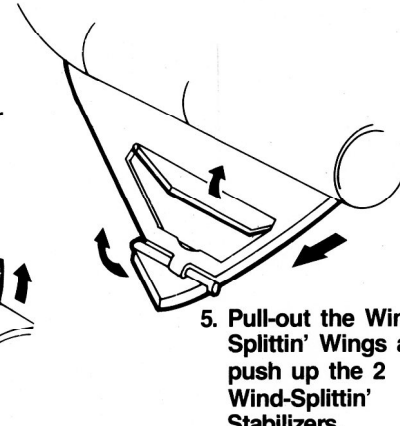
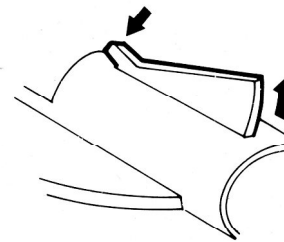


2. Push the engine block forward and fold in the Extendo-exhaust Pipes inward to become the Turtle Turbo Thrusters.



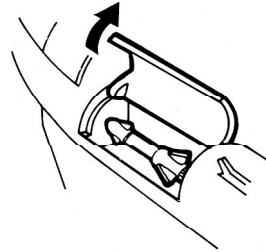
3. Pivot the Rear Pontoons inward to become Retro-Rockets.

4. Pop-up the rear Vertical Stabilizers.

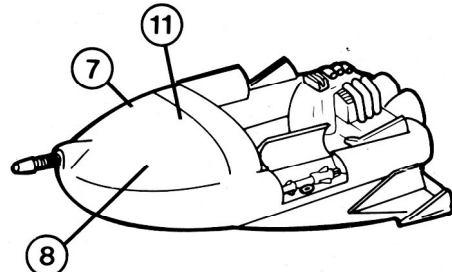
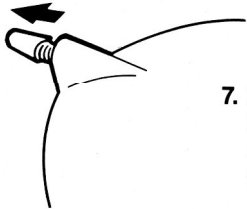


5. Pull-out the Wind-Splittin' Wings and push up the 2 Wind-Splittin' Stabilizers.

6. Flip up the Side Hull Plates to expose the Detachable Space Missiles.



7. Extend the Power Packed Asteroid Blaster forward.



8. Now you have one Super Space Shuttle!
Note: To mutate back to Radical Raft, just reverse the directions.

Assembly

- See Diagram A to assemble the Sewer Slick Spoiler/Radiation Deflector, Rear Pontoon/Retro Rockets, and the Detachable Space Missiles.
- Apply labels 1-12 as shown.

PLEASE NOTE: AFTER PLAYING WITH YOUR RADICAL RAFT IN THE WATER, YOU SHOULD LET IT DRY OUT (OR IF YOU'RE IN A BIG HURRY ASK MOM FOR A PAPER TOWEL!)

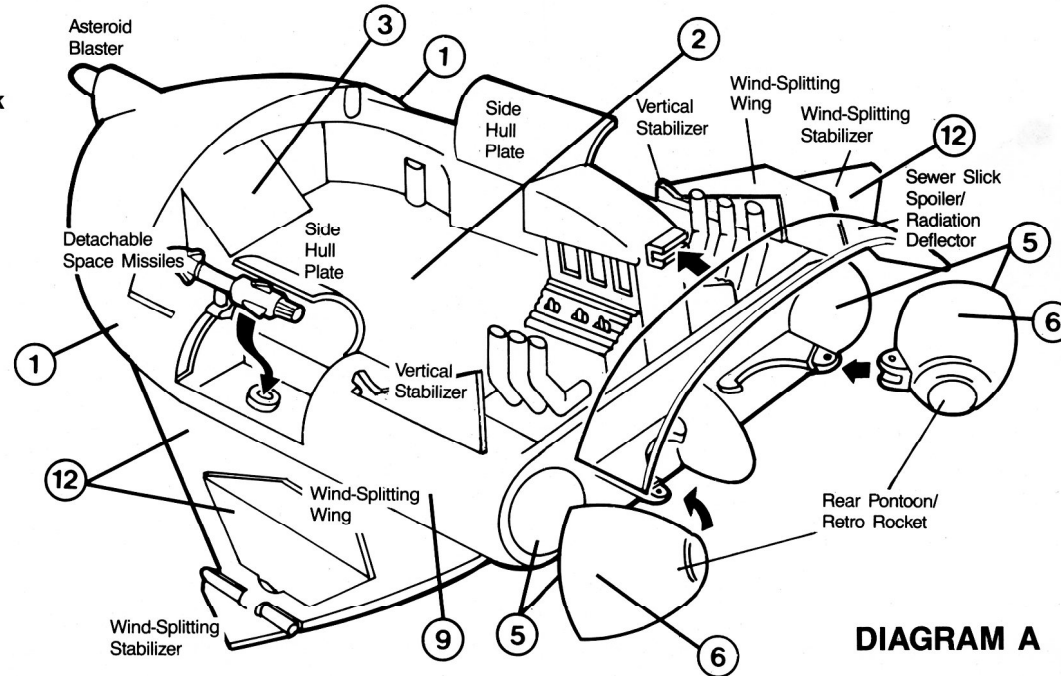


DIAGRAM A