

TEENAGE MUTANT NINJA TURTLES

MINI MUTANTS BODACIOUS BATTLESETS™

Kids,
follow these
simple blueprints,
it's easy!



1. We're getting ready to go live on Channel 6 with the latest into war against the stinkin, slimy Foot. Before we broadcast, let's set up for the siege to end all sieges. Attach Channel 6 News building to base as shown.

2. Attach abandoned brick building across the road as shown, making sure that no Foot lurk within.

3. Snap Condemned Breakaway Brick Wall tabs into grooves on the sides of buildings and base as shown. Mini-Toon Turtle Leonardo knows to take cover in his shell when the brick starts to crumble and fall.

4. Slide billboard sign into groove on the top of the abandoned building as shown.

5. Attach the Radical Garbage Can Receptacle to pivot support then insert support onto top of abandoned building as shown. This is the ideal way to "trash" the enemy with toxic waste and other junky stuff.

6. Insert All American Flag Pole and Awesome Amber Street Lamp as shown.

7. So maybe Mini-Toon Turtle Leo has to run ... Insert pivoting Rapid Retreat Road Gate onto base as shown and he's outta here in seconds, getting some reinforcements for the next bodacious battle.

8. When the going gets tough, the garbage gets going! Mini-Toon Turtle Leo knows when to let it fly. Insert the Garbage Can Launcher into base as shown. To load, place a High Flying Garbage can into the launcher as shown and spin post with fingers to fire. When Leo's feeling particularly pesky, he can use it as a battering ram against unwanted vehicles coming down the road.

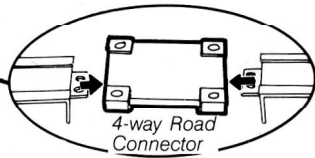
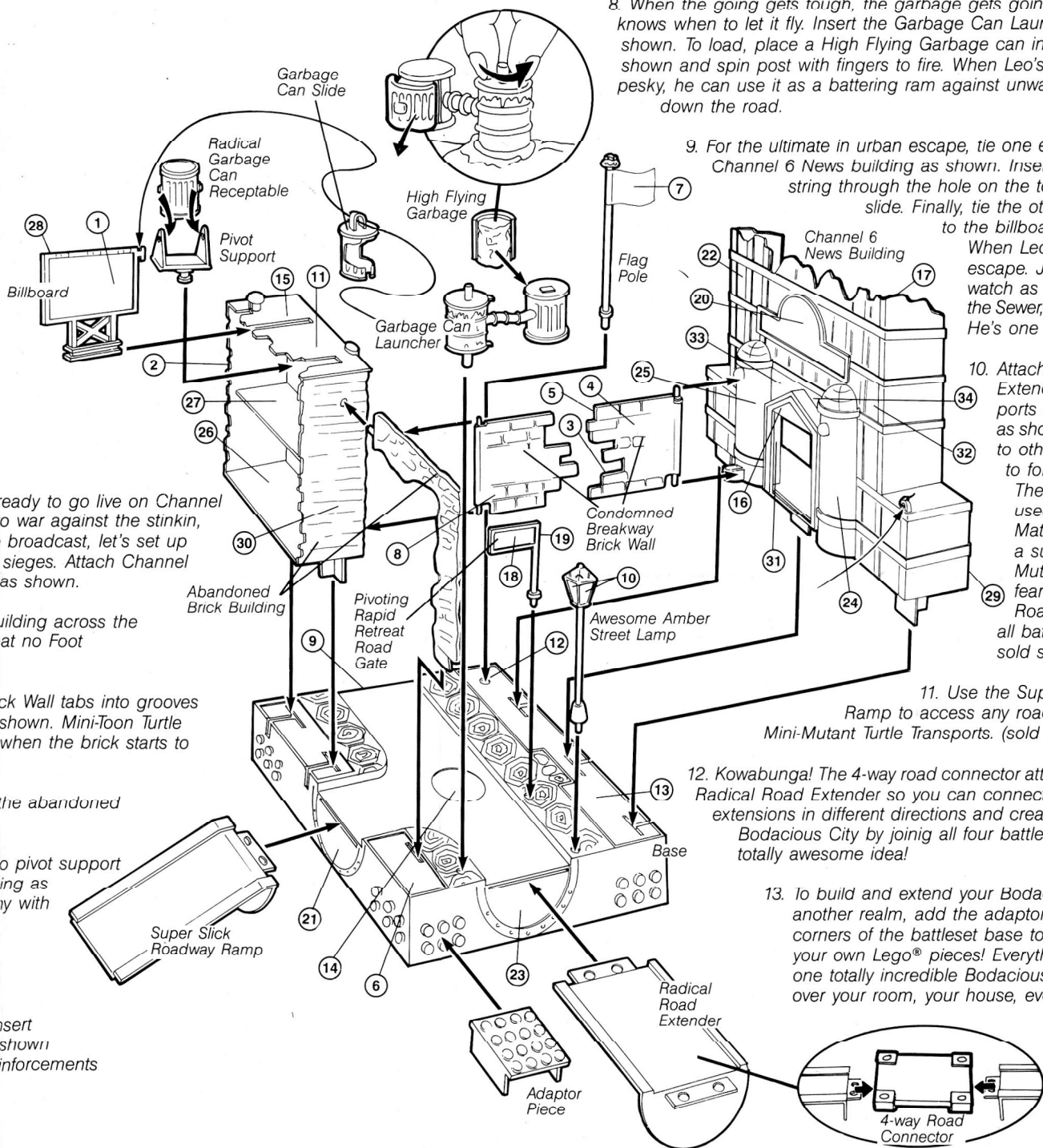
9. For the ultimate in urban escape, tie one end of the string to the Channel 6 News building as shown. Insert the loose end of the string through the hole on the top of the garbage can slide. Finally, tie the other end of the string to the billboard sign as shown. When Leo needs to make his escape. Just clip him in and watch as he slides straight into the Sewer, roady to emarge again. He's one daring dude!

10. Attach the Radical Road Extender to any of the four ports on the playset base as shown. Roadways connect to other battleset ports to form a mega battle city! These ports can also be used with Hotwheels® and Matchbox® track to create a super city for the Mini-Mutant battles with the fearless Foot Clan. Roadways will connect to all battlesets. (Battlesets sold separately.)

11. Use the Super Slick Roadway Ramp to access any road you want with the Mini-Mutant Turtle Transports. (sold separately.)

12. Kowabunga! The 4-way road connector attaches to the end of the Radical Road Extender so you can connect other battleset road extensions in different directions and create one big Mini-Mutant Bodacious City by joining all four battlesets together! What a totally awesome idea!

13. To build and extend your Bodacious Battleset into another realm, add the adaptor piece at the bottom corners of the battleset base to make it work with any of your own Lego® pieces! Everything works together for one totally incredible Bodacious Battleset that can take over your room, your house, even your neighborhood!



ASST. NO. 3470
STOCK NO. 3472
AGES 4 AND UP
Playmates™