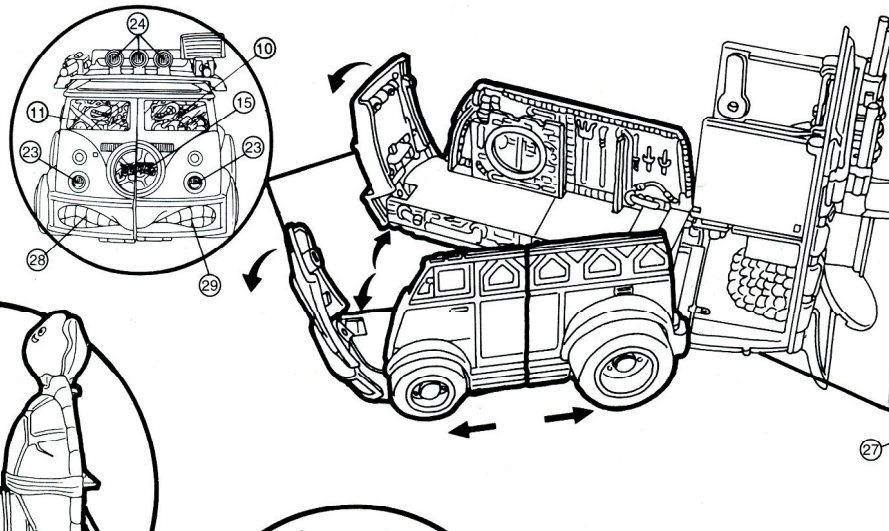
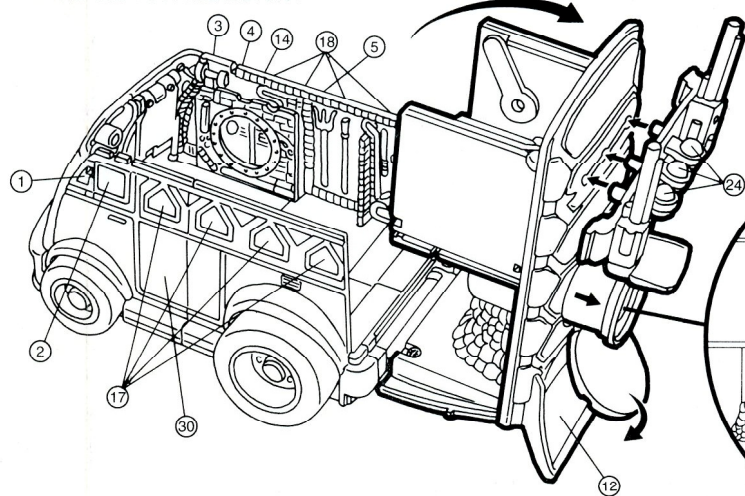


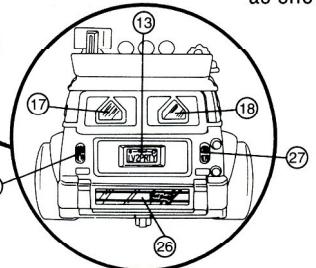
TEENAGE MUTANT NINJA TURTLES® MINI MUTANTS PARTY WAGON PLAYSET™

Kids,
follow these
simple blueprints,
it's easy!

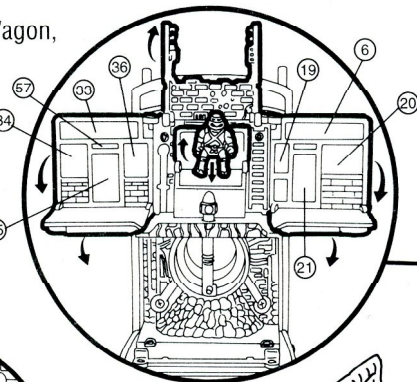
Before getting started, open the cover to the Extendible Sewer pipe on top of the Party Wagon as shown for a connection to all the original Mini-Mutant playsets. Attach the Sewer Stunnin' Light Bank and Laser to the top roof as shown. It's a perfect spot for Mini-Mutant Donatello to keep an eye on fearless Foot maneuvers.



To open the Playset: swing open and lower the front panels of the Party Wagon and lift up the top to expose an action packed Mini-Mutant Sewer adventure world! Open up the playset all the way out by pulling out all the sidewall extensions on the Party Wagon until playset is completely extended and assembled as shown.



To assemble the center of the Party Wagon, open out side platforms and lock both platforms into the bottom of the center as shown. Raise the brick wall behind the Secret Escape Garbage Canister for further protection against Foot follies. If Mini-Mutant Leonardo needs to escape, he just lifts the lid on the Garbage Canister and he can drop into the sewer below street level.



Swing out the connector piece from under the edge of the Subway Sewer Station Platform and attach the post underneath the Sewer Slide to the piece as shown. Now our Mini-Mutant Turtles have a super fast, super slick route right into the Samurai Training Room when the Foot come stompin' in.

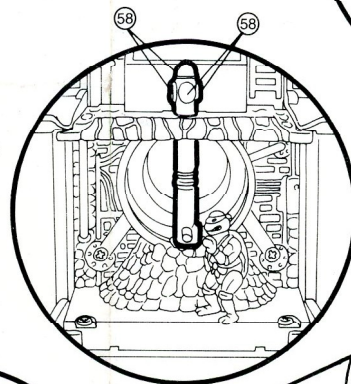


WARNING:
CHOKING HAZARD.
Small parts. Not for children under 3 years.

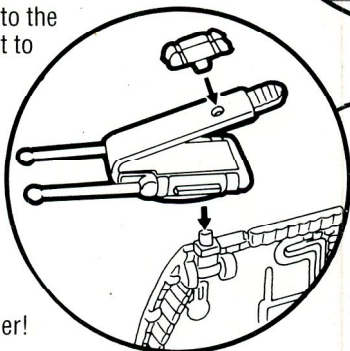
Swing out the connector piece from under the edge of Don's Pizza Shop and attach the super quick, super slick Sewer Pipe Slide to the piece, making sure that the cover of the Sewer Pipe opens toward the floor of the Pizza Shop as shown. A quick trip down the pipe lands Mini-Mutant Leonardo into the Sewer for an up close and personal tour of the slime below.



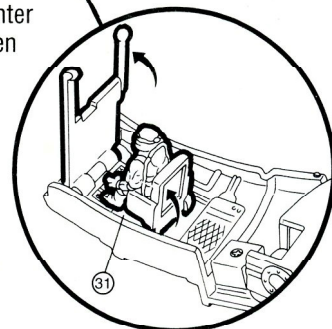
When he's swamped in the sewer, Mini-Mutant Donatello can use the Rotatin' Fire Hydrant Periscope for a Street level view of all the action.



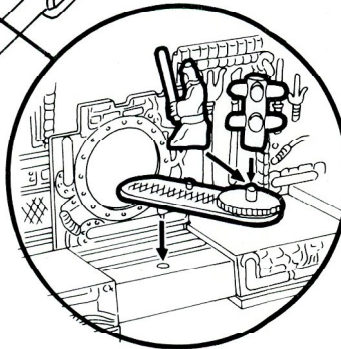
Attach the Ooze Tank Launcher to the post on the top of the panel next to the Samurai Training Room as shown. Load the Ooze Tank Launcher with one of the aerodynamic Ooze of tanks, then wait till you see the Ooze of their eyes and fire! To fire, just pull back on the lever, aim and release! Yikes, it's a totally messy, slimy mass of Ooze and Foot melded together!



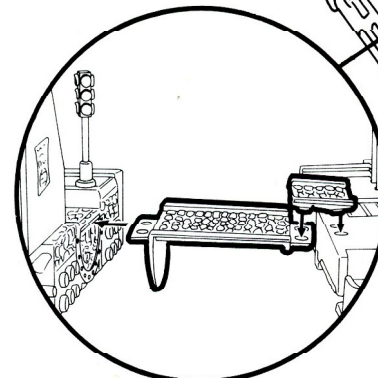
Attach the Mini-Mutant Communication Center board as shown and swing up to stand. Then place the Communicator Chair on the post as shown. Now Mini-Mutant Donatello and Leonardo can keep in contact with their fightin' friends and win the battle against the menacing Foot foes.



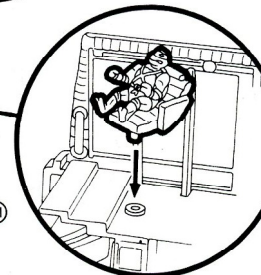
Mini-Mutants Turtles need total training time to keep in tip-top Turtle condition! To assemble the incredible Samurai Training Room place the Dummy platform in the slot in front of the Sewer pipe opening as shown. Then insert either the Free Spinnin' Practice Dummy or the Spinner Trainer on the post of the platform as shown. For target practice, spin the thumbwheel directly beneath the Dummy and watch him swing into action!



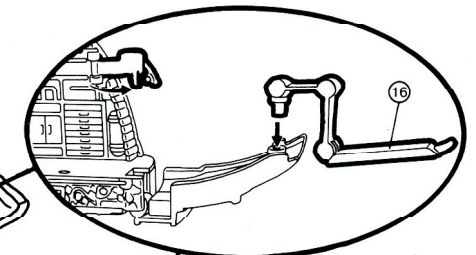
Kowabunga! The 2-way road connector attaches to the end of the Extension track so you can connect other battleset road extensions in different directions and create one big Mini-Mutant Bodacious City!



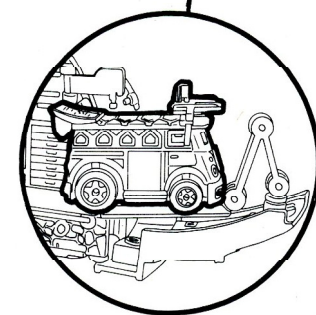
Now you're ready to have a Party Wagon ride you'll never forget as our Mini-Mutant heroes take to the Sewers and fight the evil Foot that never rests!



Attach Mini-Mutant Donatello's study seat to the post on the floor of Study Room as shown so he can dream up fearless plans to terminate the Foot forever.



Insert the post of Working Mini-Mutant Vehicle Lift onto the end of the playset as shown. Then park one of the Mini-Mutant Vehicles on the Lift and swing it around to the Diagnostic Center for repairs. Swing out the Diagnostic Tool to the side wall as shown for further examination of Mini-Mutant Vehicle malfunctions. (Mini-Mutant Vehicle sold separately.)



Playmates®

STOCK NO. 3351
AGES 4 AND UP